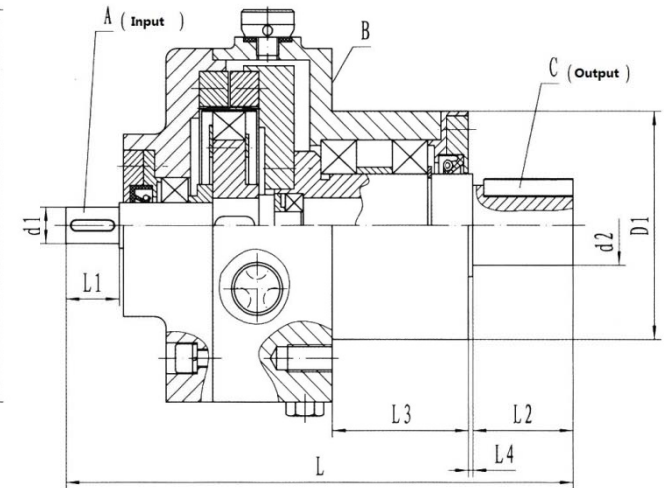
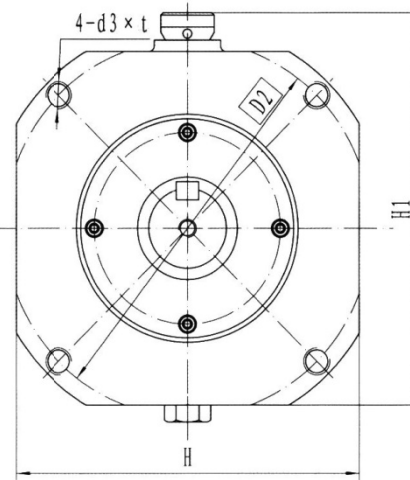


Model Parameters and drawing:

PHD-R Pancake-Type Harmonic Drive Reducer



Notes: 1. Key for size 25, in column A according to GB 1099-79 2. All other keys according to GB 1096-79 3. B and D1 indicating the datum surface for mounting 4. In installation, the air vent must be on the top of the unit. Dimensions(mm)

Size	d1 (h7)	d2 (h7)	d3xt	D1 (h7)	D2	L	L1	L2	L3	L4	H	H1	A	C
25	Φ4	Φ8	M4x8	Φ30	Φ53	71	8	12	12.5	2	50	59	KEY 1*1.4*4	KEY C3x10
32	Φ6	Φ12	M5x10	Φ45	Φ64	98	11.5	16	30	1.5	60	69	KEY 2x8	KEY C4x14
40	Φ8	Φ15	M5x10	Φ50	Φ76	114	14.5	20	32	1.5	70	83	KEY 3x12	KEY C5x18
50	Φ10	Φ18	M5x12	Φ60	Φ85	132	18	24	39	2	81	94	KEY 3x15	KEY C6x20
60	Φ14	Φ22	M6x15	Φ68	Φ104	152	18	30	42	2	98	111	KEY 5x14	KEY C6x26
80	Φ14	Φ30	M10x15	Φ85	Φ140	175	19.5	36	48	2	130	147.5	KEY 5x16	KEY C8x30
100	Φ16	Φ35	M12x20	Φ100	Φ165	229	24	45	62	2	155	181	KEY 5x20	KEY C10x40
120	Φ18	Φ45	M14x20	Φ120	Φ205	268	27.5	58	73	2	190	216	KEY 6x24	KEY C14x50
160	Φ24	Φ60	M20x35	Φ140	Φ260	324	38	68	90	2	245	274	KEY 8x32	KEY C18x60
200	Φ30	Φ80	M24x40	Φ180	Φ320	390	45	80	108	2	300	332	KEY 8x35	KEY C22x70