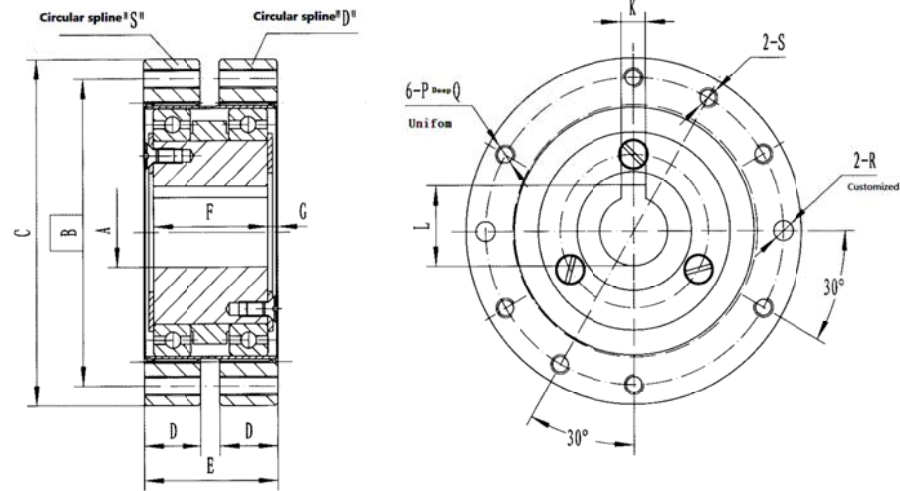


Model Parameters and drawing:

DHD-C High Ratio Dual Harmonic Drive Reducer Component Sets



Dimensions(mm)

Size	A (H7)	B	C (g6)	D	E	F	G	L	P	Q	R (H7)	S
25	Φ6	Φ34	Φ40	7	14.5	11.5	1.5	7 (+0.1, 0)	M3	7	Φ3	M3
32	Φ10	Φ43	Φ50	8	18	14.5	1.75	11.4 (+0.1, 0)	M3	8	Φ3	M3
40	Φ12	Φ51	Φ60	10	24	18.5	2.75	13.8 (+0.1, 0)	M4	10	Φ4	M4
50	Φ14	Φ62	Φ70	12	28	22.5	2.75	16.3 (+0.1, 0)	M4	12	Φ4	M4
60	Φ18	Φ75	Φ85	14	33	25.5	3.75	20.8 (+0.1, 0)	M5	12	Φ5	M5
80	Φ18	Φ100	Φ115	18	40	34.5	2.75	20.8 (+0.1, 0)	M6	12	Φ6	M6
100	Φ24	Φ120	Φ135	24	52	42	5	27.3 (+0.2, 0)	M8	14	Φ8	M8
120	Φ24	Φ150	Φ170	28	62	50	6	27.3 (+0.2, 0)	M10	18	Φ10	M10
160	Φ40	Φ195	Φ220	38	80	63	8.5	43.3 (+0.2, 0)	M12	22	Φ12	M12
200	Φ50	Φ240	Φ270	46	96	77	9.5	53.8 (+0.2, 0)	M16	25	Φ16	M16