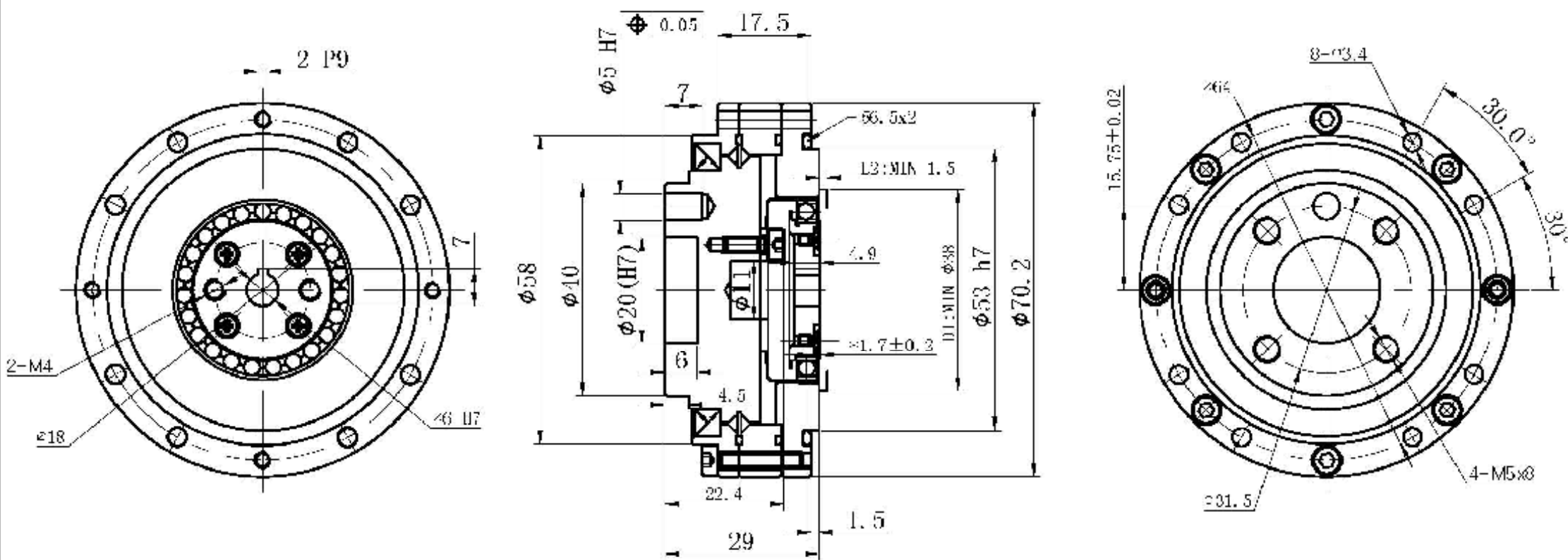


# Model Parameters and drawing:



**CCD-14-XXX-C-I (Rev B-0)**

Note:

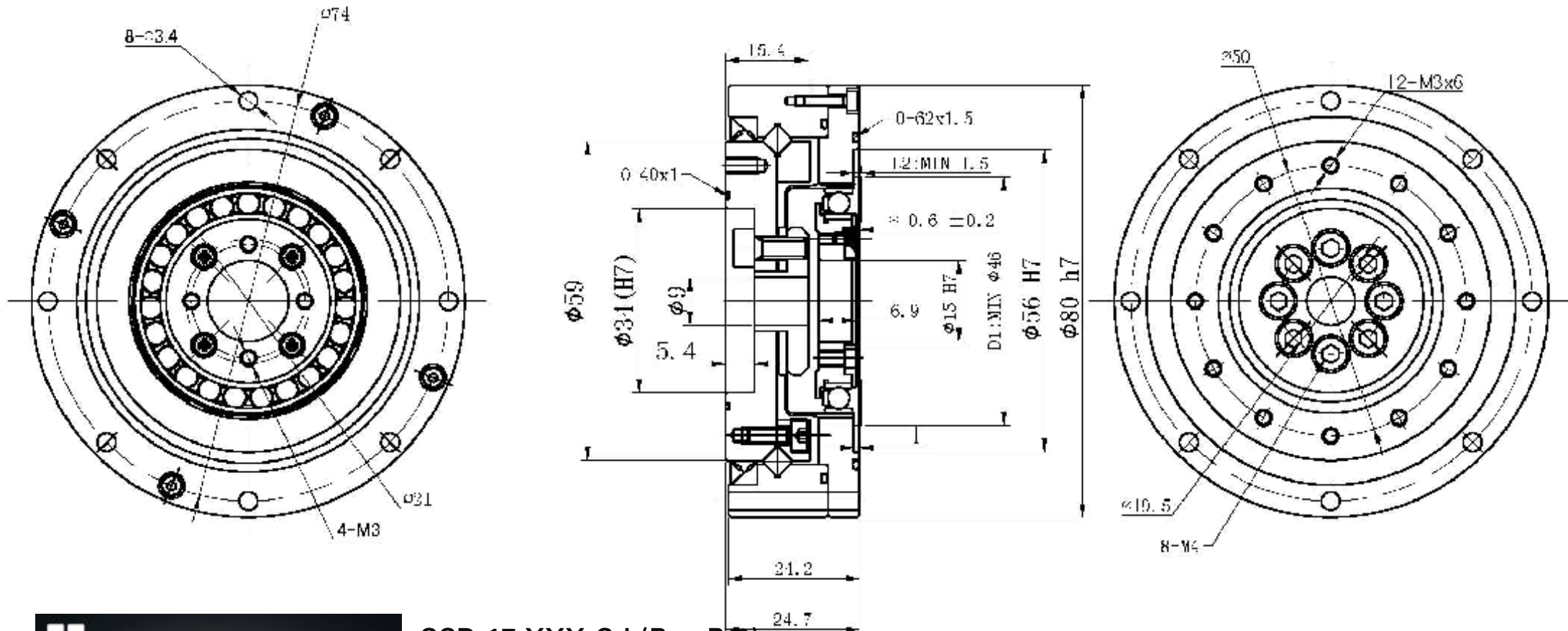
Drawings in catalog is valid within 2016

Order dimension according to final drawing according to customer confirmation

If there is update in drawing details, which will not be notified in catalog

Please avoid using minimum safety dimension when assembling with rigid spline

# Model Parameters and drawing:



**CCD-17-XXX-C-I (Rev B-0)**

Note:

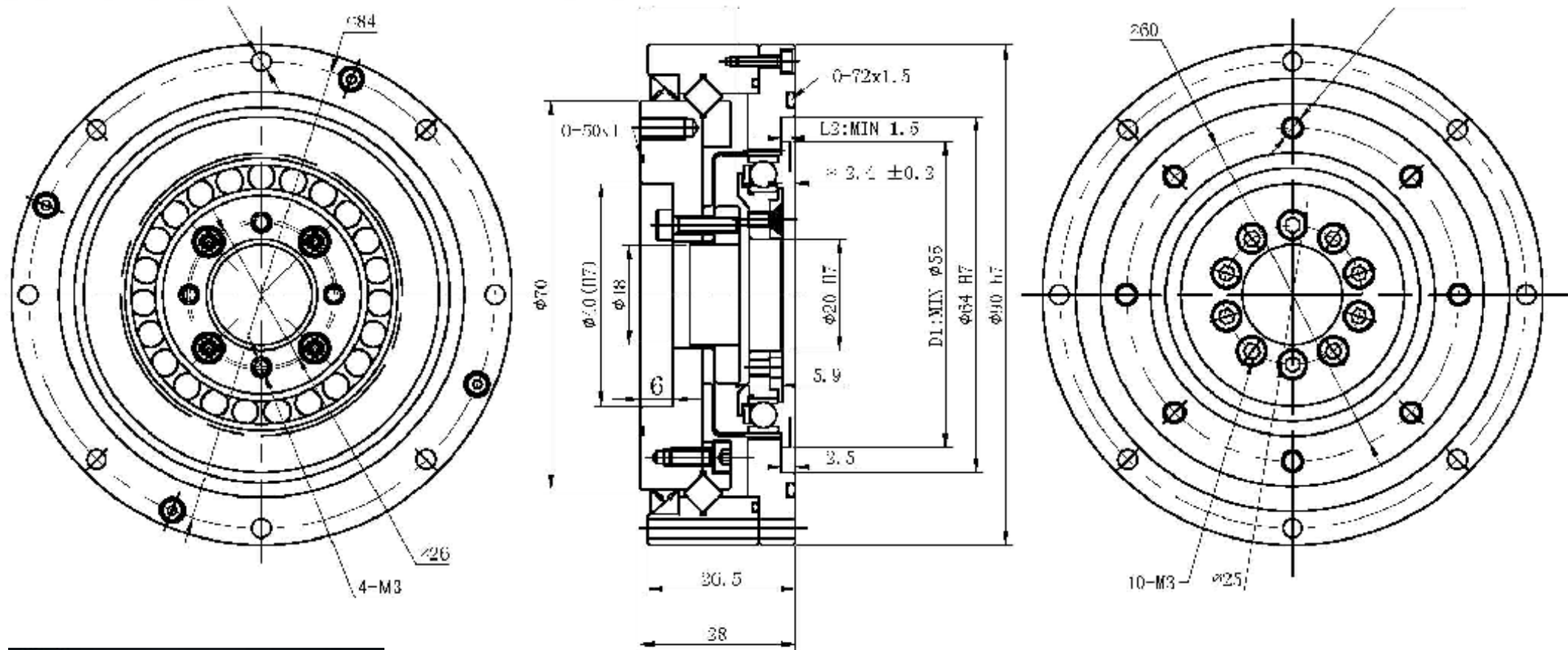
Drawings in catalog is valid within 2016

Order dimension according to final drawing according to customer confirmation

If there is update in drawing details, which will not be notified in catalog

Please avoid using minimum safety dimension when assembling with rigid spline

# Model Parameters and drawing:



## CCD-20-XXX-C-I (Rev B-0)

Note:

Drawings in catalog is valid within 2016

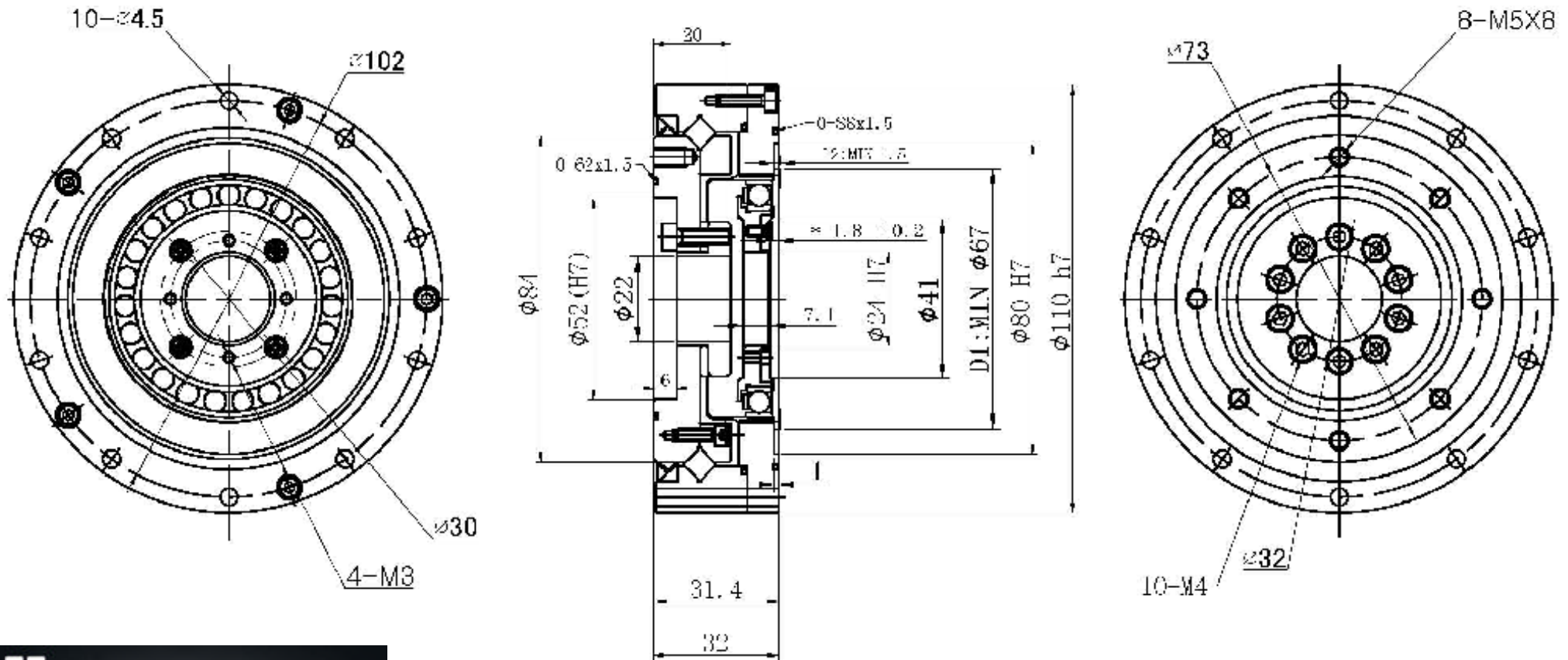
Order dimension according to final drawing according to customer confirmation

If there is update in drawing details, which will not be notified in catalog

Please avoid using minimum safety dimension when assembling with rigid spline



# Model Parameters and drawing:



**CCD-25-XXX-C-I (Rev B-0)**

Note:

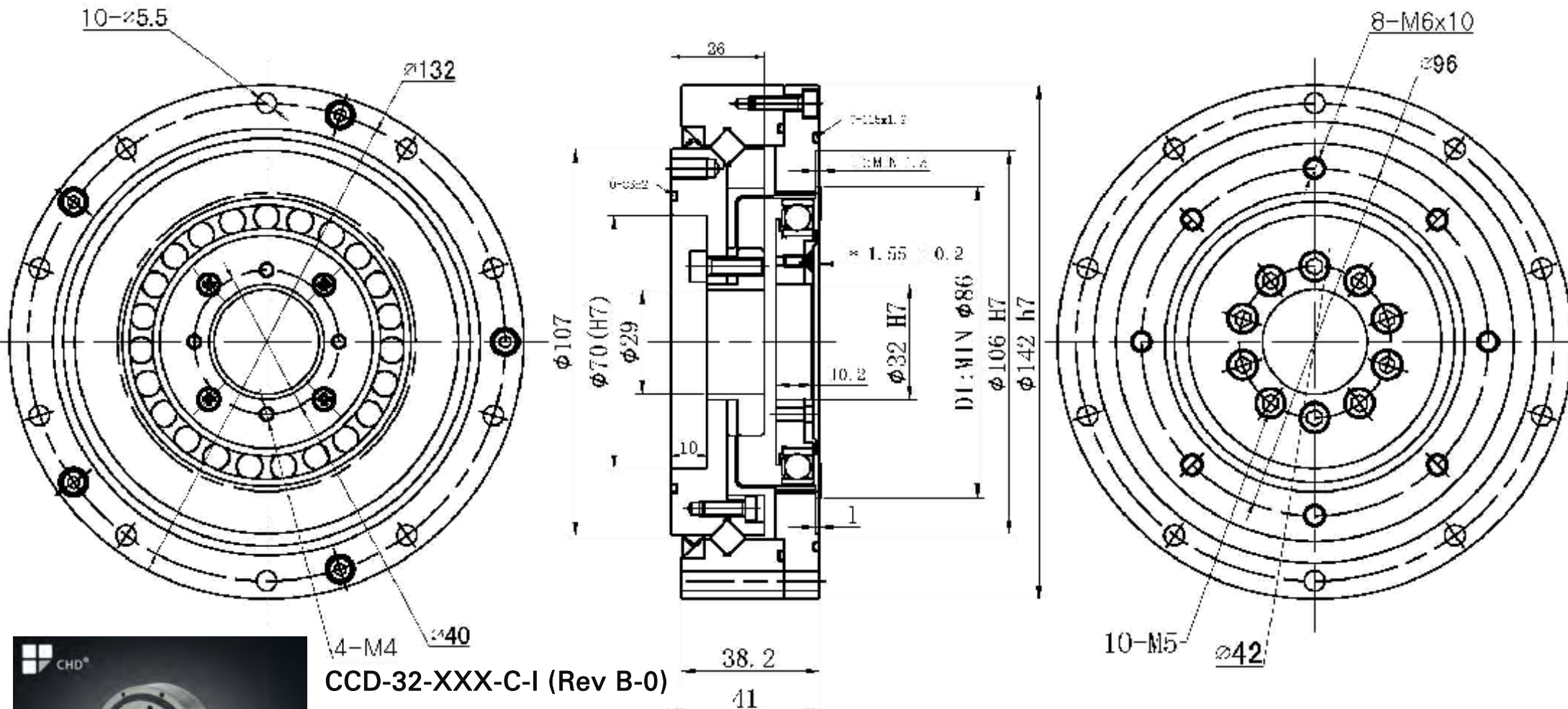
Drawings in catalog is valid within 2016

Order dimension according to final drawing according to customer confirmation

If there is update in drawing details, which will not be notified in catalog

**Please avoid using minimum safety dimension when assembling with rigid spline**

# Model Parameters and drawing:



CCD-32-XXX-C-I (Rev B-0)

Drawings in catalog is valid within 2016

Order dimension according to final drawing according to customer confirmation

If there is update in drawing details, which will not be notified in catalog

Please avoid using minimum safety dimension when assembling with rigid spline